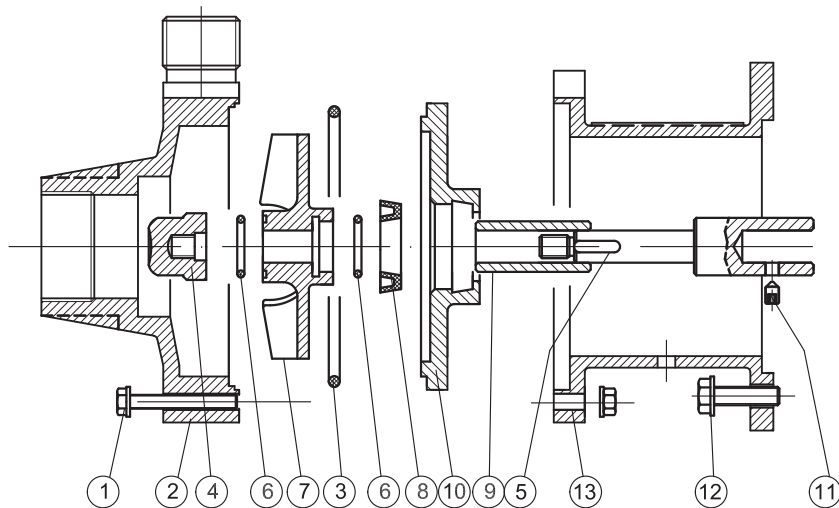


FEATURES/CARATTERISTICHE

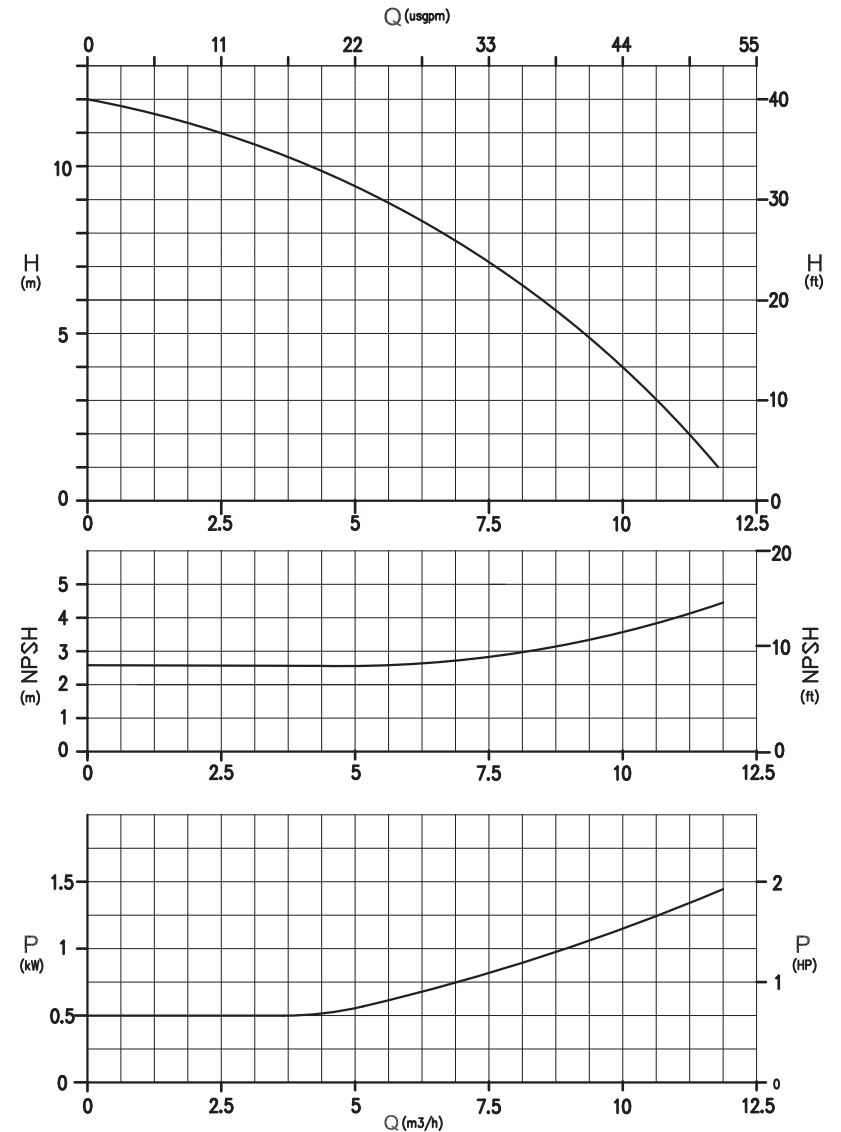
Materials available/Materiali disponibili:	PP-PVDF
Max flow/Portata massima:	12 m ³ /h
Max head/Prevalenza massima:	12 m
Max temperature/Temperatura massima:	PP 60°C/PVDF 90°C
Max viscosity/Viscosità massima:	200 cSt
Pressure rating/Pressione nominale massima:	NP/PN 4 @ 20°C
Seal/Tenuta:	Lip seal/Tenuta a labbro

SECTION AND PARTS LIST/SEZIONE E LISTA PARTI

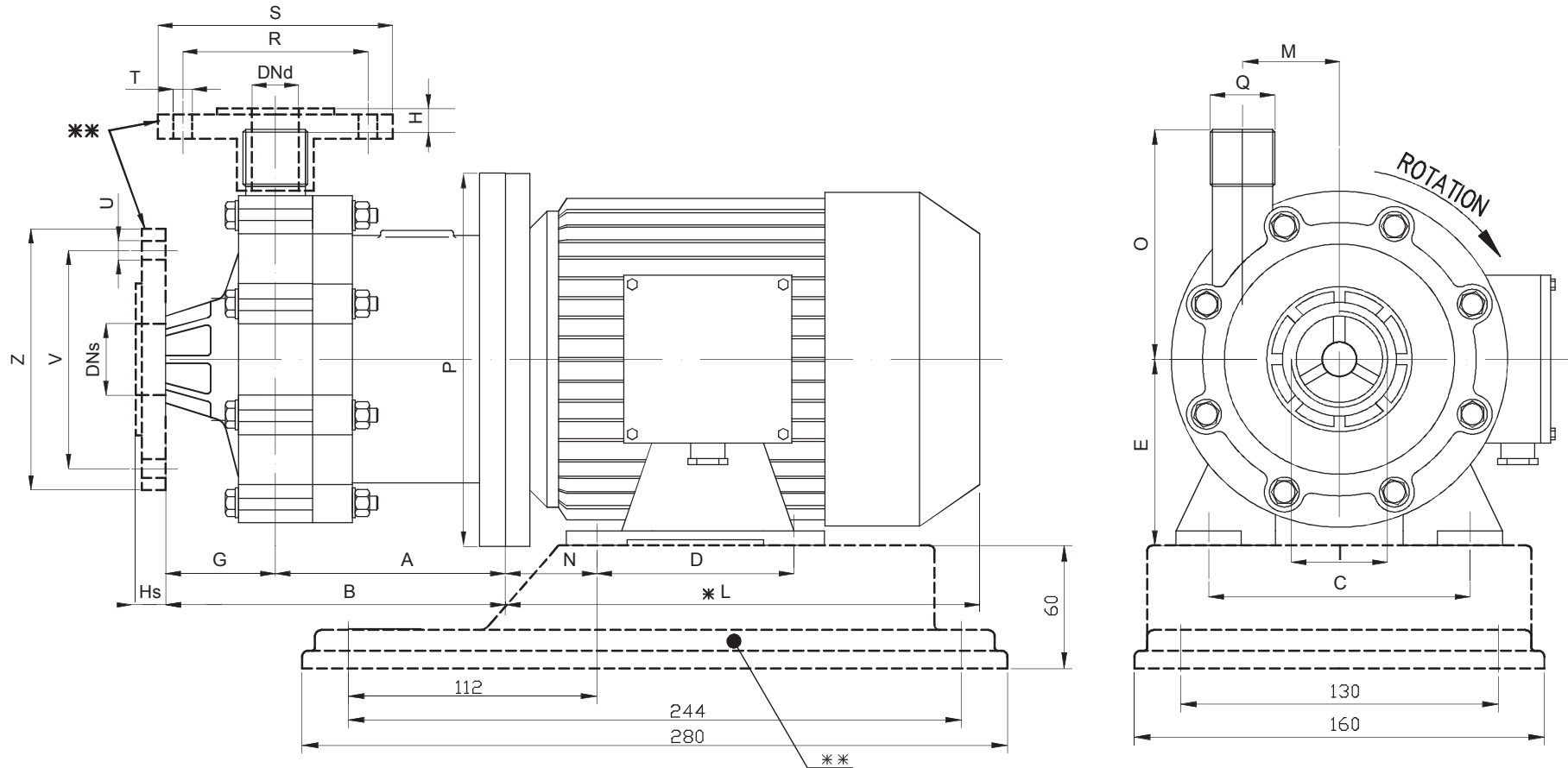


POS.	1	2	3	4	5	6	7	8	9	10	11	12	13
PART DESCR.	SET SCREWS	PUMP HEAD	O-RING	IMPELLER NUT	SHAFT	O-RING	IMPELLER	LIP SEAL	SHAFT SLEEVE	COVER	GRUB SCREW	SET SCREWS	BRACKET
MAT.	AISI304	PP-PVDF	EPDM VITON	PP-PVDF	C40 AISI316	EPDM VITON	PP-PVDF	EPDM VITON	AI203	PP-PVDF	AISI304	AISI304	PP

CURVES/CURVE 50HZ-2900 RPM



DIMENSIONS/DIMENSIONI D'INGOMBRO



PUMP TYPE	MOTOR FLANGE B3-B5	POT. Kw	DIMENSIONS - mm -														FLANGES DIN PN 10-DIMENSIONS - mm -								
			A	B	C	D	E	Hs	G	H	I	*L	M	N	O	P	Q	R	S	T	U	V	Z	DNs	DNd
HCO 95-10	G 71 B	0.55	110	180	112	90	71	20	70	9	1 1/2" FEMALE	215	45	45	100	160	1"	85	115	14	18	110	150	40	25

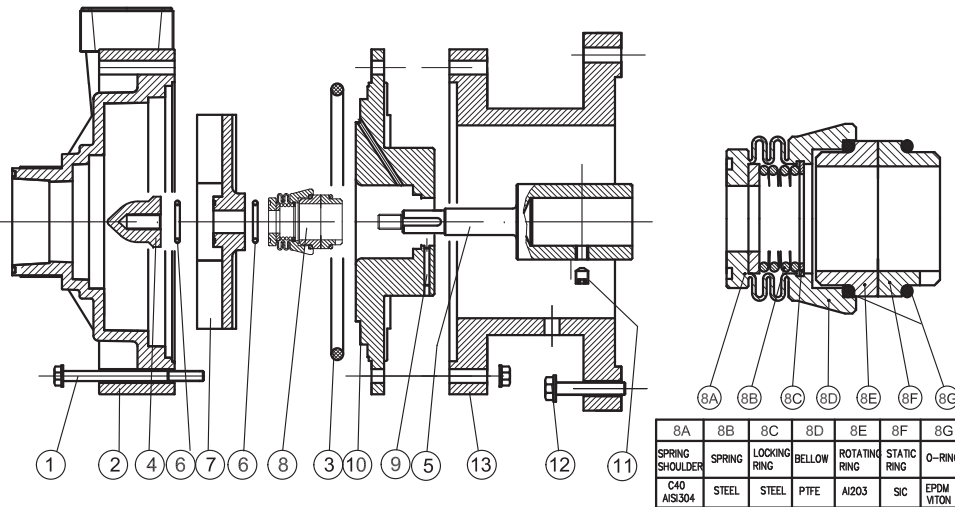
* Different according to the manufacturer / Diverso a seconda del fornitore

** OPTIONAL-UPON REQUEST/SU RICHIESTA: Baseplate/Piede d'appoggio - Flanges/Flange

FEATURES/CARATTERISTICHE

Materials available/Materiali disponibili:	PP-PVDF
Max flow/Portata massima:	20 m ³ /h
Max head/Prevalenza massima:	13 m
Max temperature/Temperatura massima:	PP 60°C/PVDF 90°C
Max viscosity/Viscosità massima:	200 cSt
Pressure rating/Pressione nominale massima:	NP/PN 4 @ 20°C
Seal/Tenuta:	Internal PTFE bellows mechanical seal/Tenuta meccanica interna con soffiello in PTFE

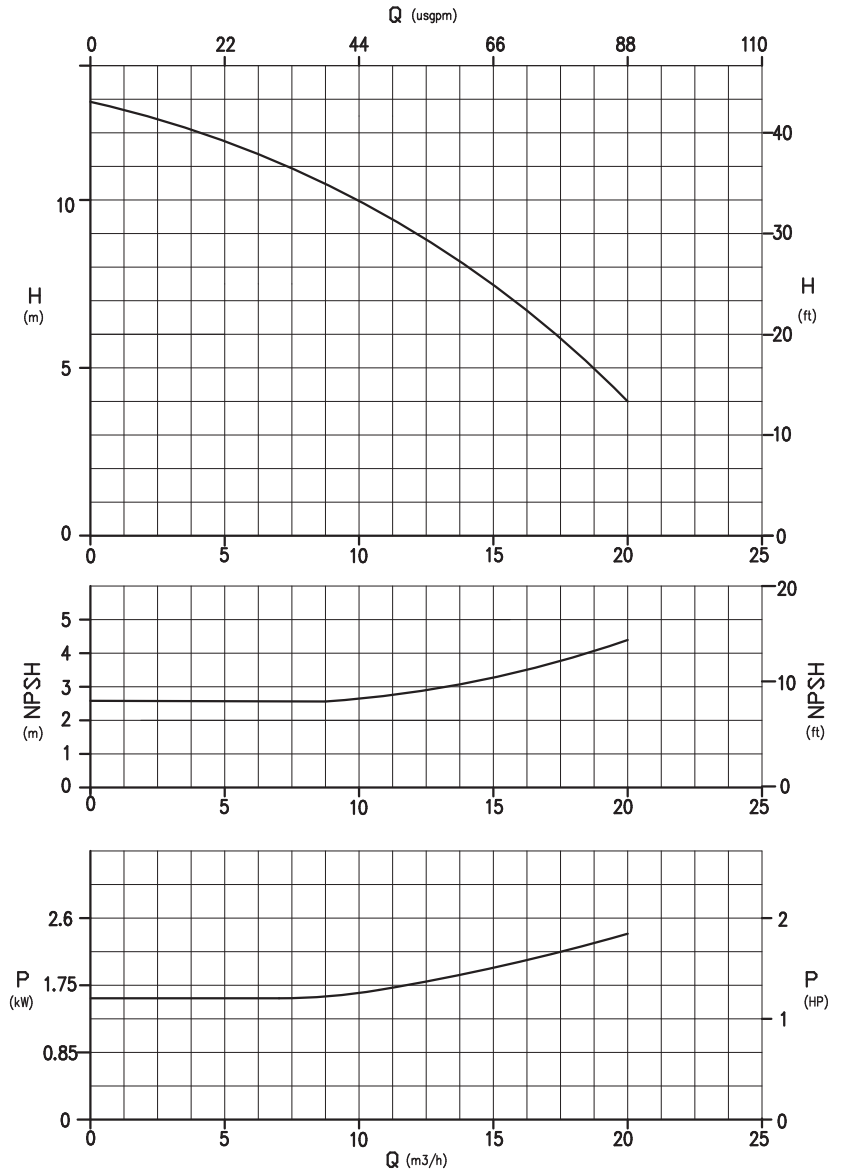
SECTION AND PARTS LIST/SEZIONE E LISTA PARTI



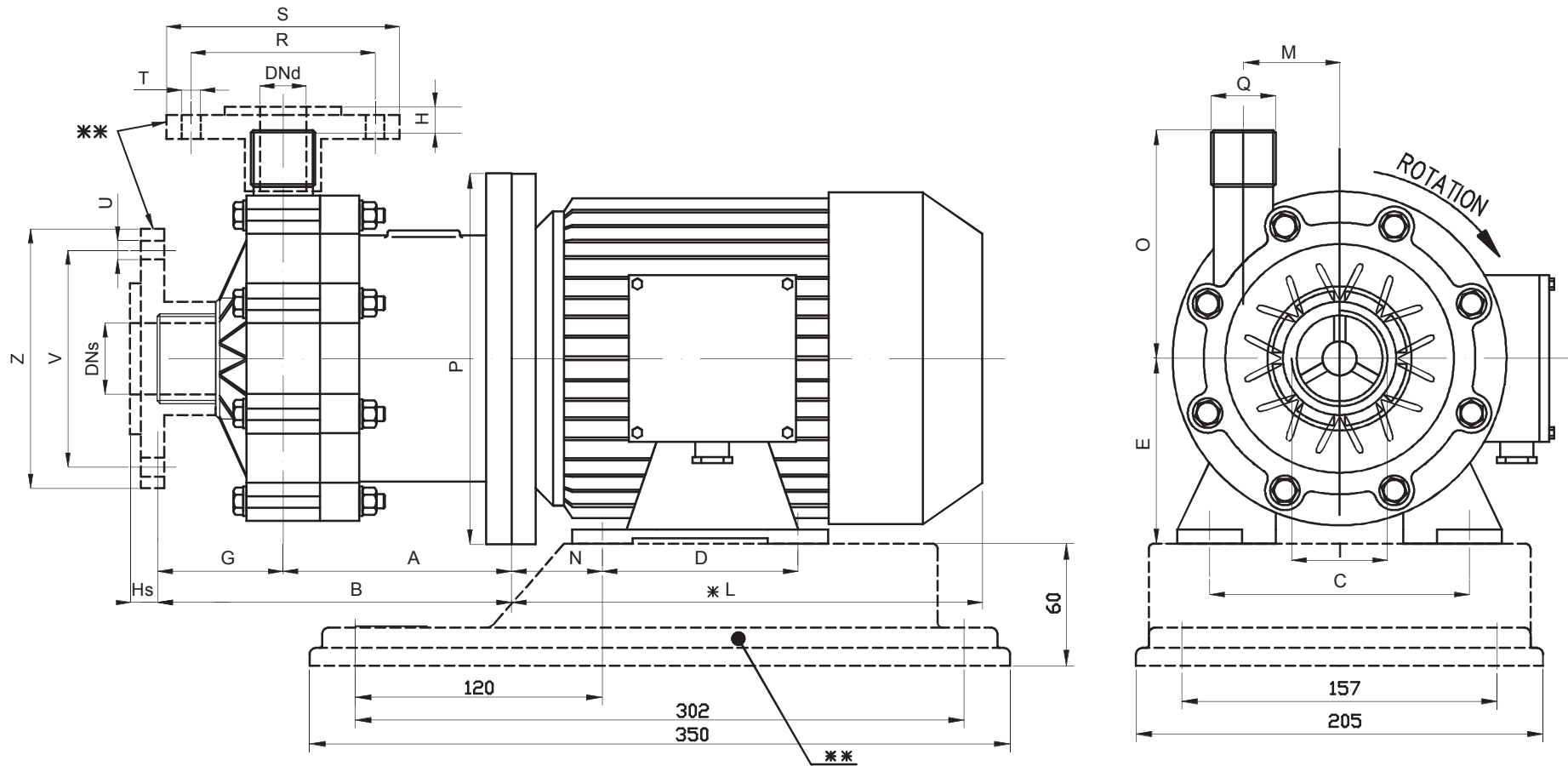
8A	8B	8C	8D	8E	8F	8G
SPRING SHOULDER	SPRING	LOCKING RING	BELLOW	ROTATING RING	STATIC RING	O-RING
C40 AISI304	STEEL	STEEL	PTFE	AI203	SIC	EPDM VITON

POS.	1	2	3	4	5	6	7	8	9	10	11	12	13
PART DESCR.	SET SCREWS	PUMP HEAD	O-RING	IMPELLER NUT	SHAFT	O-RING	IMPELLER	MECHANICAL SEAL	PIN	COVER	GRUB SCREW	SET SCREWS	BRACKET
MAT.	AISI304	PP-PVDF	EPDM VITON	PP-PVDF	C40 AISI316	EPDM VITON	PP-PVDF	●	AISI304	PP-PVDF	AISI304	AISI304	PP

CURVES/CURVE 50HZ-2900 RPM



DIMENSIONS/DIMENSIONI D'INGOMBRO



PUMP TYPE	MOTOR FLANGE B3-B5	POT. Kw	DIMENSIONS - mm -															FLANGES DIN PN 10-DIMENSIONS - mm -							
			A	B	C	D	E	Hs	G	H	I	*L	M	N	O	P	Q	R	S	T	U	V	Z	DN _s	DN _d
HCO 110	G 80 B	1.1	199	290	125	100	80	10	91	13	2 1/2" MALE	232	66	50	140	200	2"	125	168	18	18	145	188	65	50

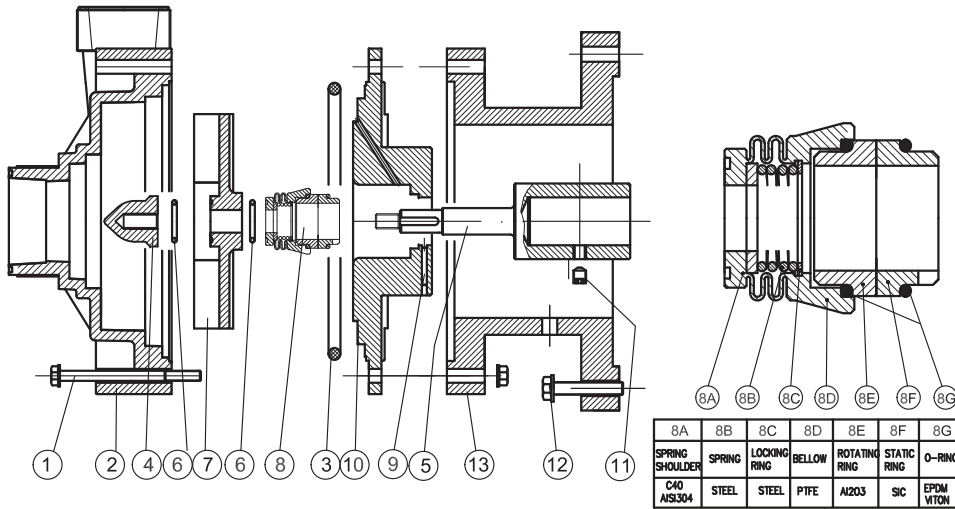
* Different according to the manufacturer / Diverso a seconda del fornitore

** OPTIONAL-UPON REQUEST/SU RICHIESTA: Baseplate/Piede d'appoggio - Flanges/Flange

FEATURES/CARATTERISTICHE

Materials available/Materiali disponibili:	PP-PVDF
Max flow/Portata massima:	25 m ³ /h
Max head/Prevalenza massima:	16 m
Max temperature/Temperatura massima:	PP 60°C/PVDF 90°C
Max viscosity/Viscosità massima:	200 cSt
Pressure rating/Pressione nominale massima:	NP/PN 4 @ 20°C
Seal/Tenuta:	Internal PTFE bellows mechanical seal/Tenuta meccanica interna con soffiello in PTFE

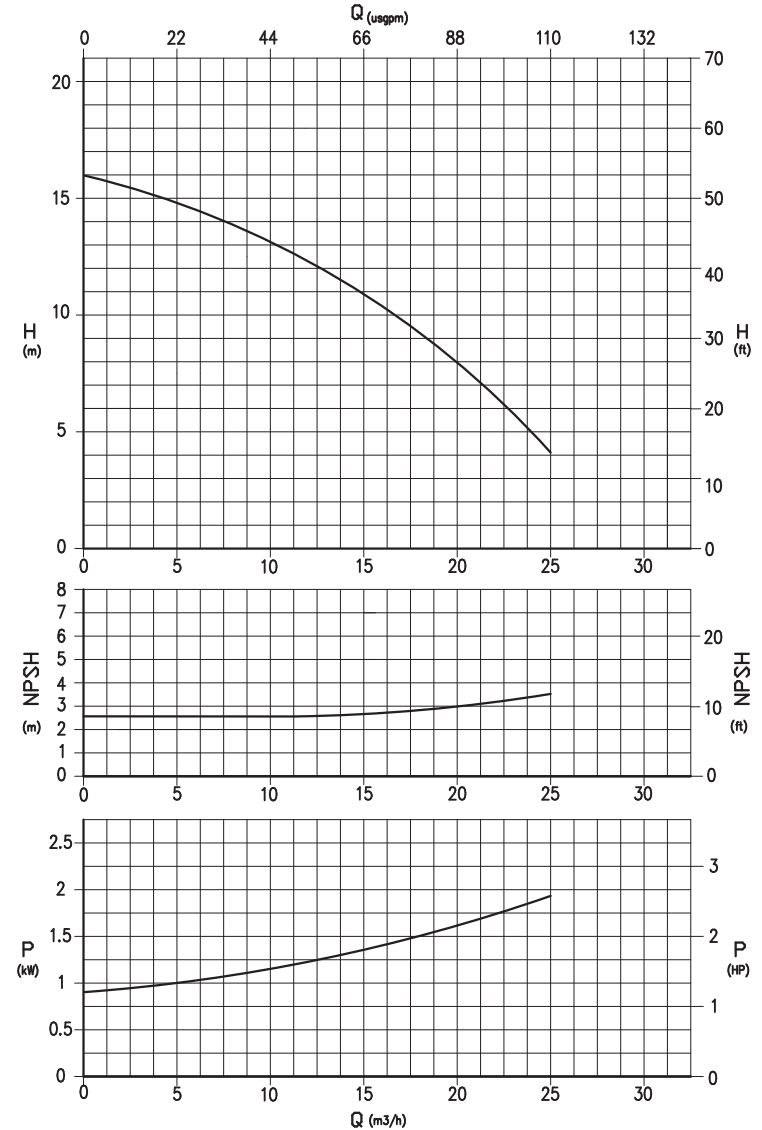
SECTION AND PARTS LIST/SEZIONE E LISTA PARTI



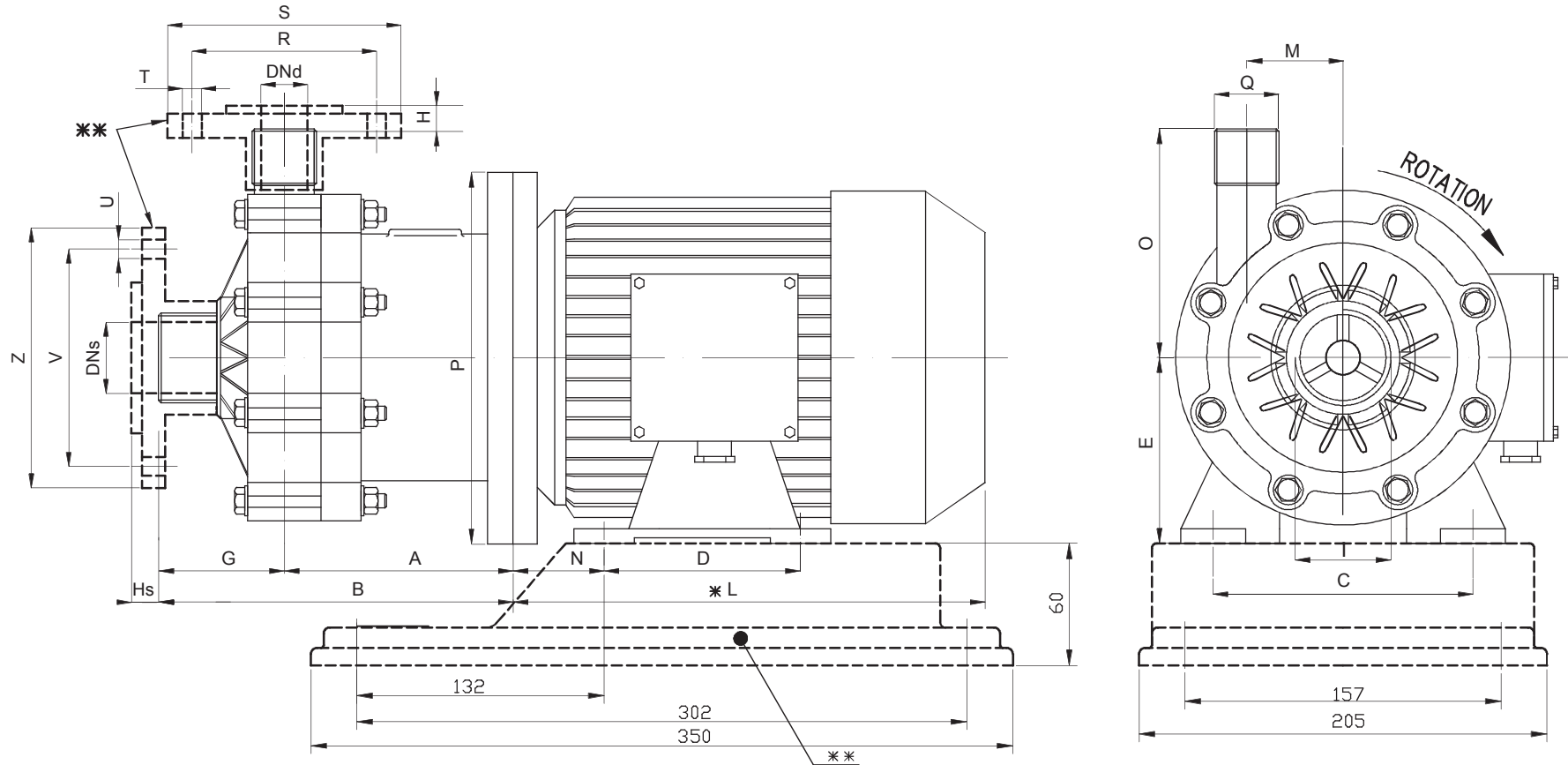
POS.	1	2	3	4	5	6	7	8	9	10	11	12	13
PART DESCR.	SET SCREWS	PUMP HEAD	O-RING	IMPELLER NUT	SHAFT	O-RING	IMPELLER	MECHANICAL SEAL	PIN	COVER	GRUB SCREW	SET SCREWS	BRACKET
MAT.	AISI304	PP-PVDF	EPDM VITON	PP-PVDF	C40 AISI316	EPDM VITON	PP-PVDF	●	AISI304	PP-PVDF	AISI304	AISI304	PP

8A	8B	8C	8D	8E	8F	8G
SPRING SHOULDER	SPRING	LOCKING RING	BELLOW	ROTATING RING	STATIC RING	O-RING
C40 AISI304	STEEL	STEEL	PTFE	AI203	SIC	EPDM VITON

CURVES/CURVE 50HZ-2900 RPM



DIMENSIONS/DIMENSIONI D'INGOMBRO



PUMP TYPE	MOTOR FLANGE B3-B5	POT. Kw	DIMENSIONS - mm -														FLANGES DIN PN 10-DIMENSIONS - mm -								
			A	B	C	D	E	Hs	G	H	I	*L	M	N	O	P	Q	R	S	T	U	V	Z	DNs	DNd
HCO 120	G 90 S	1.5	209	290	140	100	90	10	91	13	2 1/2" MALE	255	66	56	140	200	2"	125	168	18	18	145	188	65	50

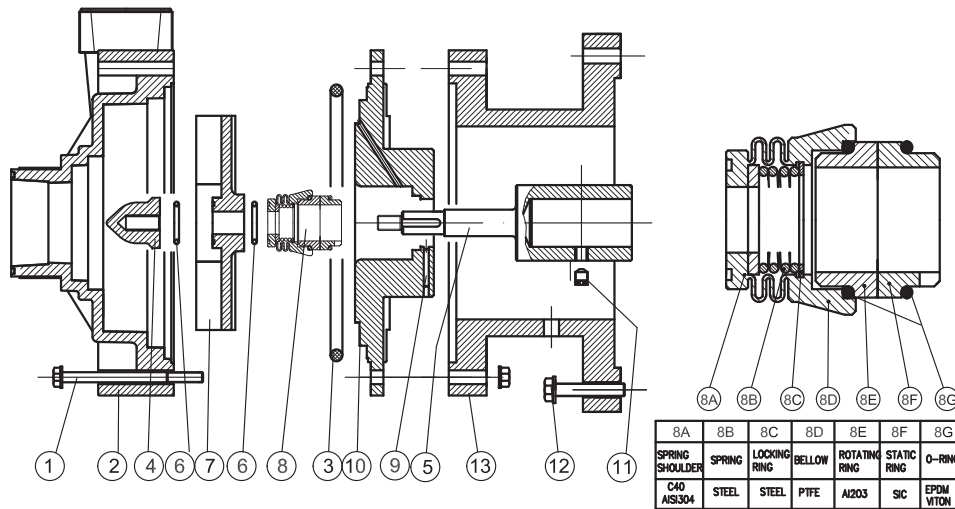
* Different according to the manufacturer / Diverso a seconda del fornitore

** OPTIONAL-UPON REQUEST/SU RICHIESTA: Baseplate/Piede d'appoggio - Flanges/Flange

FEATURES/CARATTERISTICHE

Materials available/Materiali disponibili:	PP-PVDF
Max flow/Portata massima:	30 m ³ /h
Max head/Prevalenza massima:	18 m
Max temperature/Temperatura massima:	PP 60°C/PVDF 90°C
Max viscosity/Viscosità massima:	200 cSt
Pressure rating/Pressione nominale massima:	NP/PN 4 @ 20°C
Seal/Tenuta:	Internal PTFE bellows mechanical seal/Tenuta meccanica interna con soffiello in PTFE

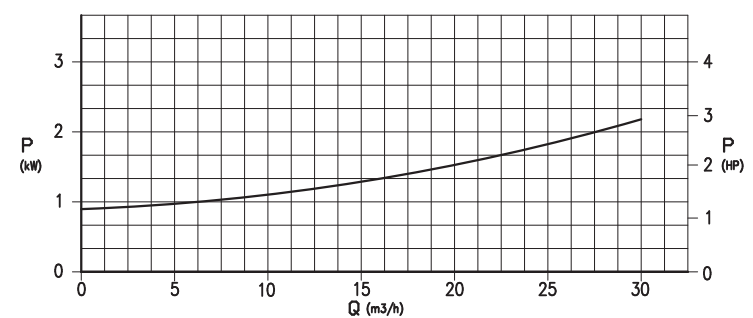
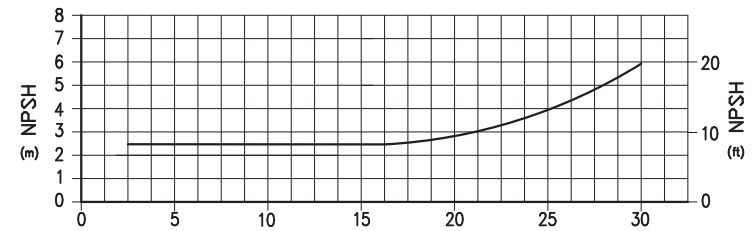
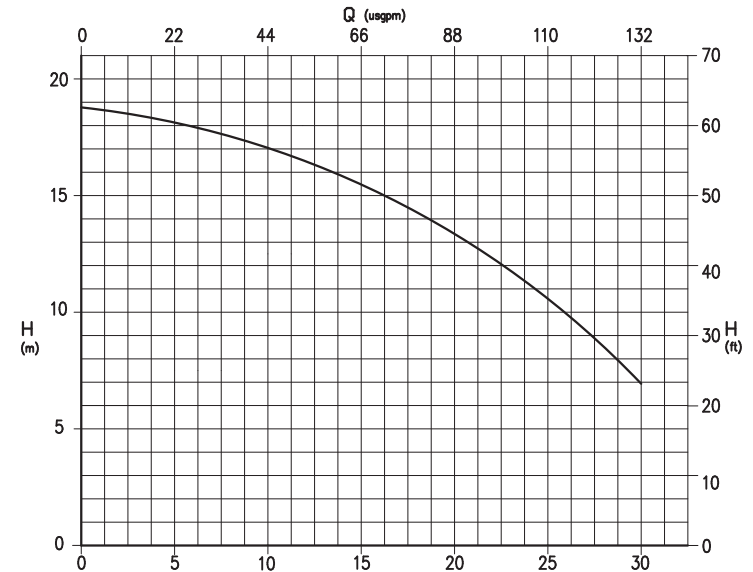
SECTION AND PARTS LIST/SEZIONE E LISTA PARTI



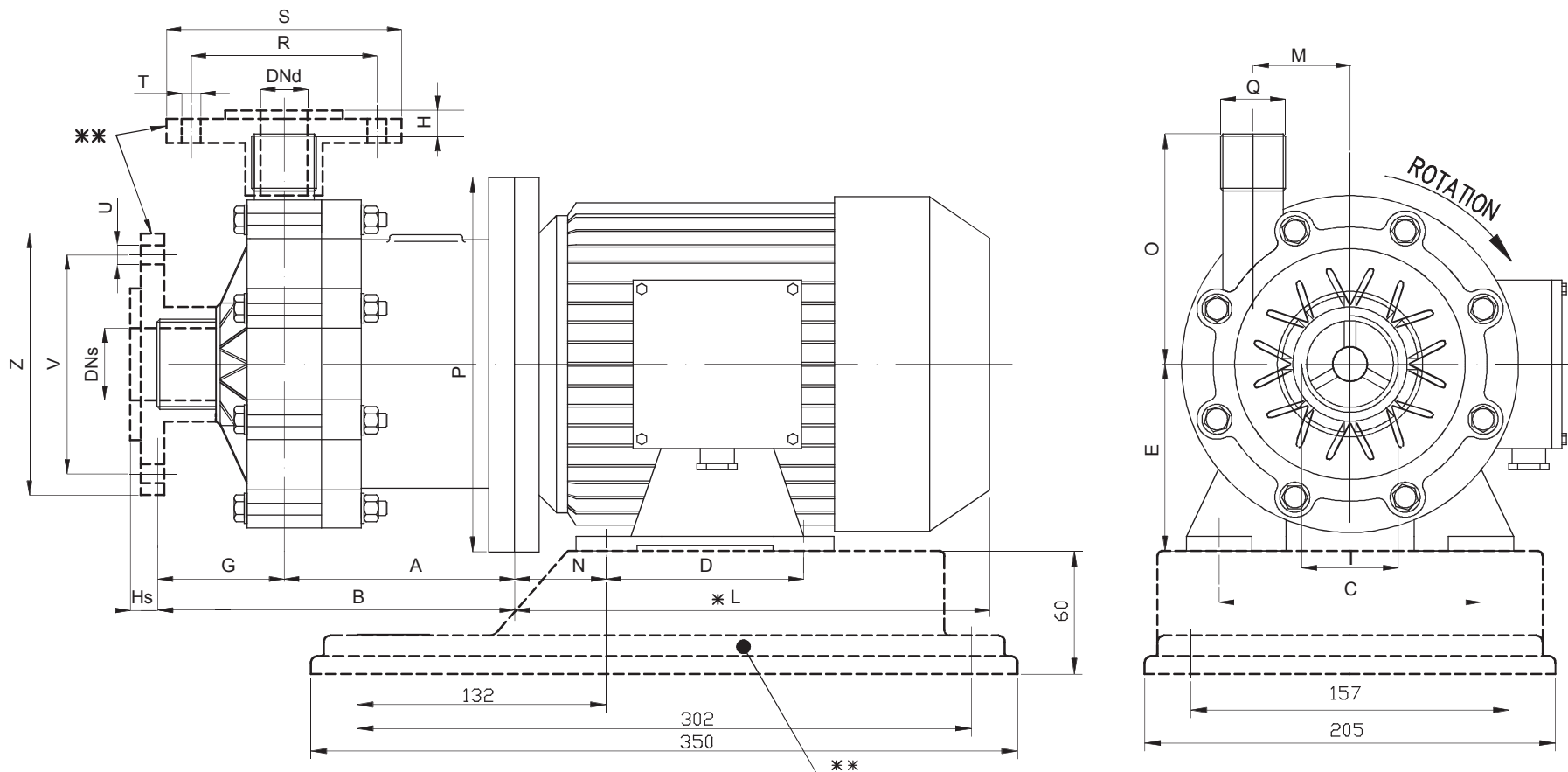
8A	8B	8C	8D	8E	8F	8G
SPRING SHOULDER	SPRING	LOCKING RING	BELLOW	ROTATING RING	STATIC RING	O-RING
C40 AISI304	STEEL	STEEL	PTFE	AI203	SIC	EPDM VITON

POS.	1	2	3	4	5	6	7	8	9	10	11	12	13
PART DESCR.	SET SCREWS	PUMP HEAD	O-RING	IMPELLER NUT	SHAFT	O-RING	IMPELLER	MECHANICAL SEAL	PIN	COVER	GRUB SCREW	SET SCREWS	BRACKET
MAT.	AISI304	PP-PVDF	EPDM VITON	PP-PVDF	C40 AISI316	EPDM VITON	PP-PVDF	●	AISI304	PP-PVDF	AISI304	AISI304	PP

CURVES/CURVE 50HZ-2900 RPM



DIMENSIONS/DIMENSIONI D'INGOMBRO



PUMP TYPE	MOTOR FLANGE B3-B5	POT. Kw	DIMENSIONS - mm -														FLANGES DIN PN 10-DIMENSIONS - mm -								
			A	B	C	D	E	Hs	G	H	I	*L	M	N	O	P	Q	R	S	T	U	V	Z	DNs	DNd
HCO 130	G 90 L	2.2	209	290	140	125	90	10	91	13	2 1/2" MALE	280	66	56	140	200	2" MALE	125	168	18	18	145	188	65	50

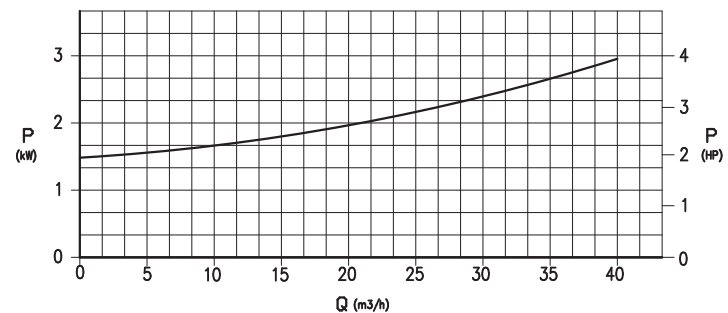
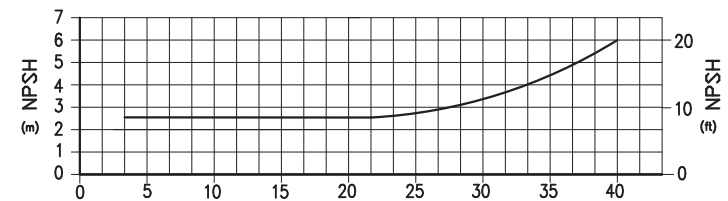
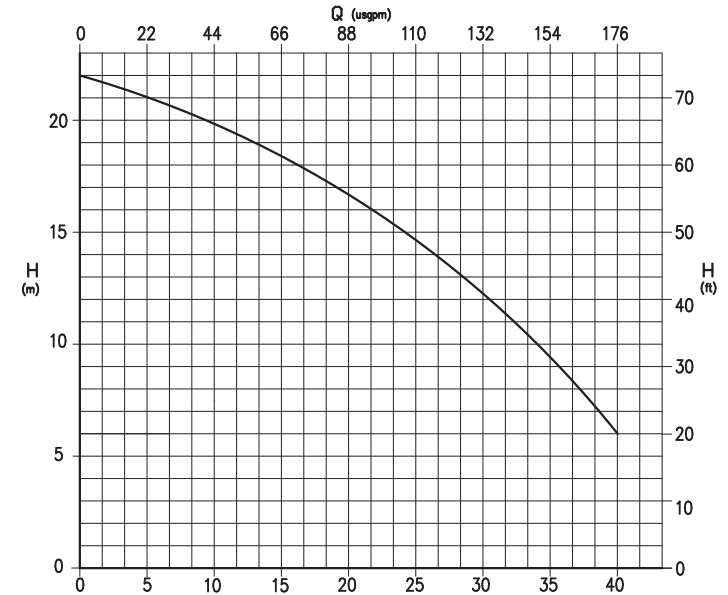
* Different according to the manufacturer / Diverso a seconda del fornitore

** OPTIONAL-UPON REQUEST/SU RICHIESTA: Baseplate/Piede d'appoggio - Flanges/Flange

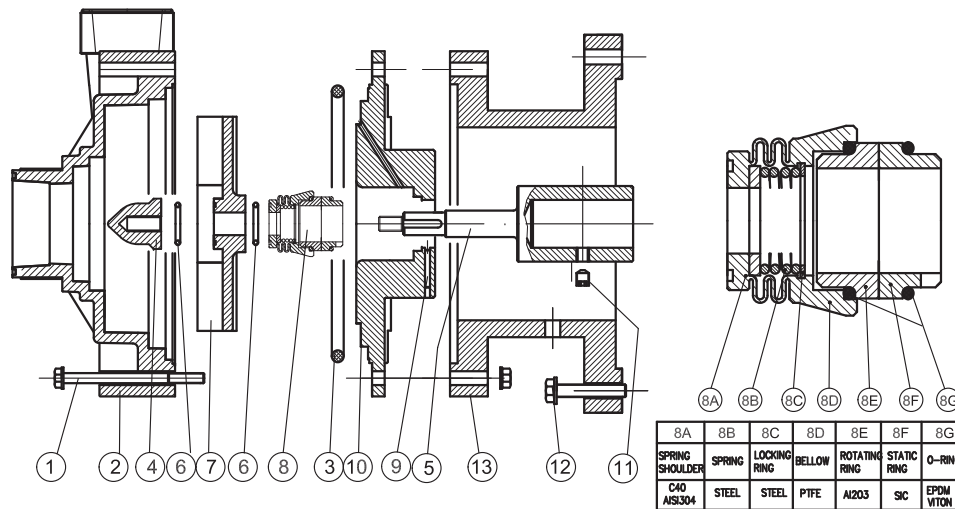
FEATURES/CARATTERISTICHE

Materials available/Materiali disponibili:	PP-PVDF
Max flow/Portata massima:	40 m ³ /h
Max head/Prevalenza massima:	22 m
Max temperature/Temperatura massima:	PP 60°C/PVDF 90°C
Max viscosity/Viscosità massima:	200 cSt
Pressure rating/Pressione nominale massima:	NP/PN 4 @ 20°C
Seal/Tenuta:	Internal PTFE bellows mechanical seal/Tenuta meccanica interna con soffietto in PTFE

CURVES/CURVE 50HZ-2900 RPM



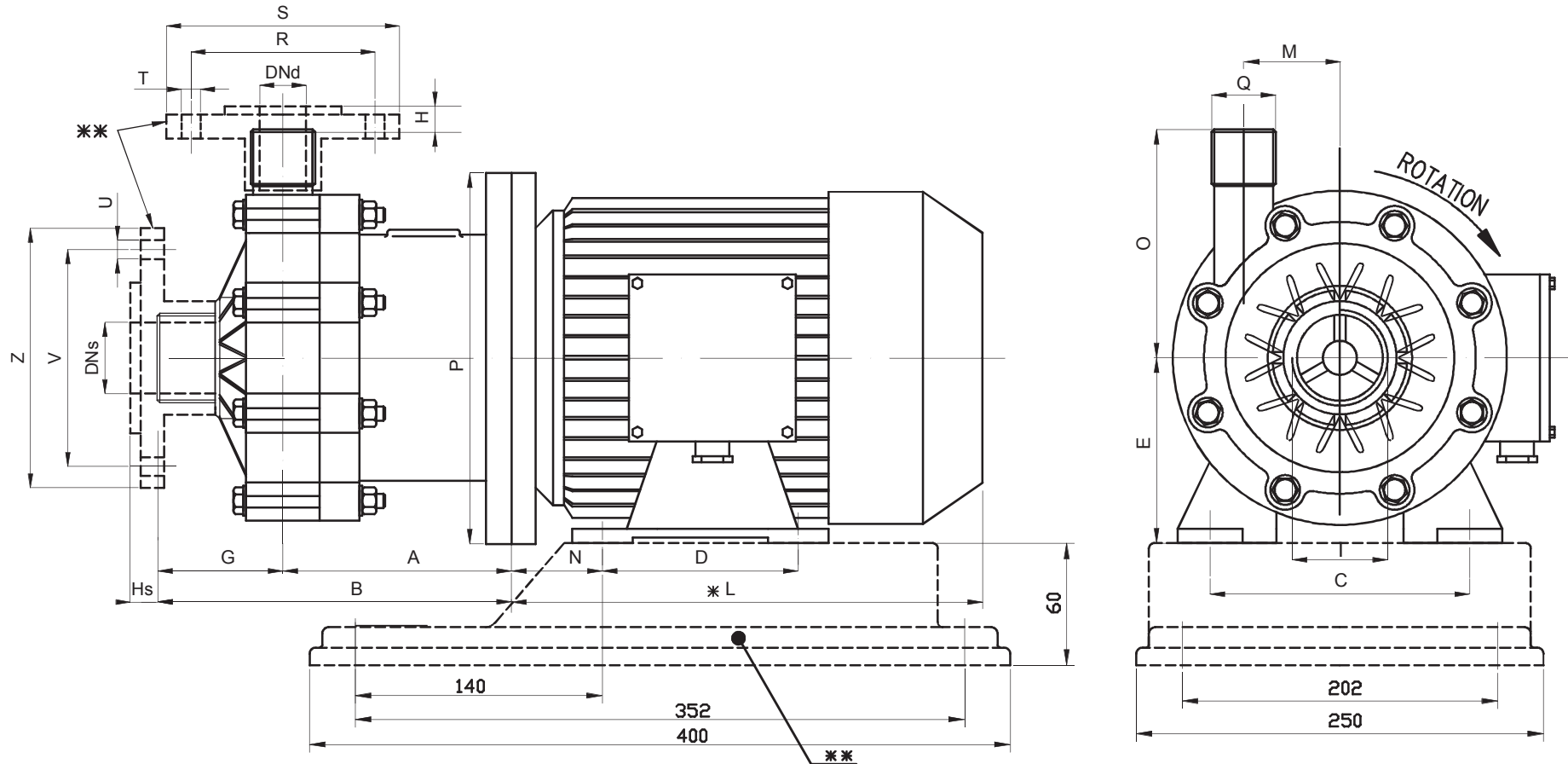
SECTION AND PARTS LIST/SEZIONE E LISTA PARTI



8A	8B	8C	8D	8E	8F	8G
SPRING SHOULDER	SPRING	LOCKING RING	BELLOW	ROTATING RING	STATIC RING	O-RING
C40 AISI304	STEEL	STEEL	PTFE	Al203	SiC	EPDM VITON

POS.	1	2	3	4	5	6	7	8	9	10	11	12	13
PART DESCR.	SET SCREWS	PUMP HEAD	O-RING	IMPELLER NUT	SHAFT	O-RING	IMPELLER	MECHANICAL SEAL	PIN	COVER	GRUB SCREW	SET SCREWS	BRACKET
MAT.	AISI304	PP-PVDF	EPDM VITON	PP-PVDF	C40 AISI316	EPDM VITON	PP-PVDF	●	AISI304	PP-PVDF	AISI304	AISI304	PP

DIMENSIONS/DIMENSIONI D'INGOMBRO



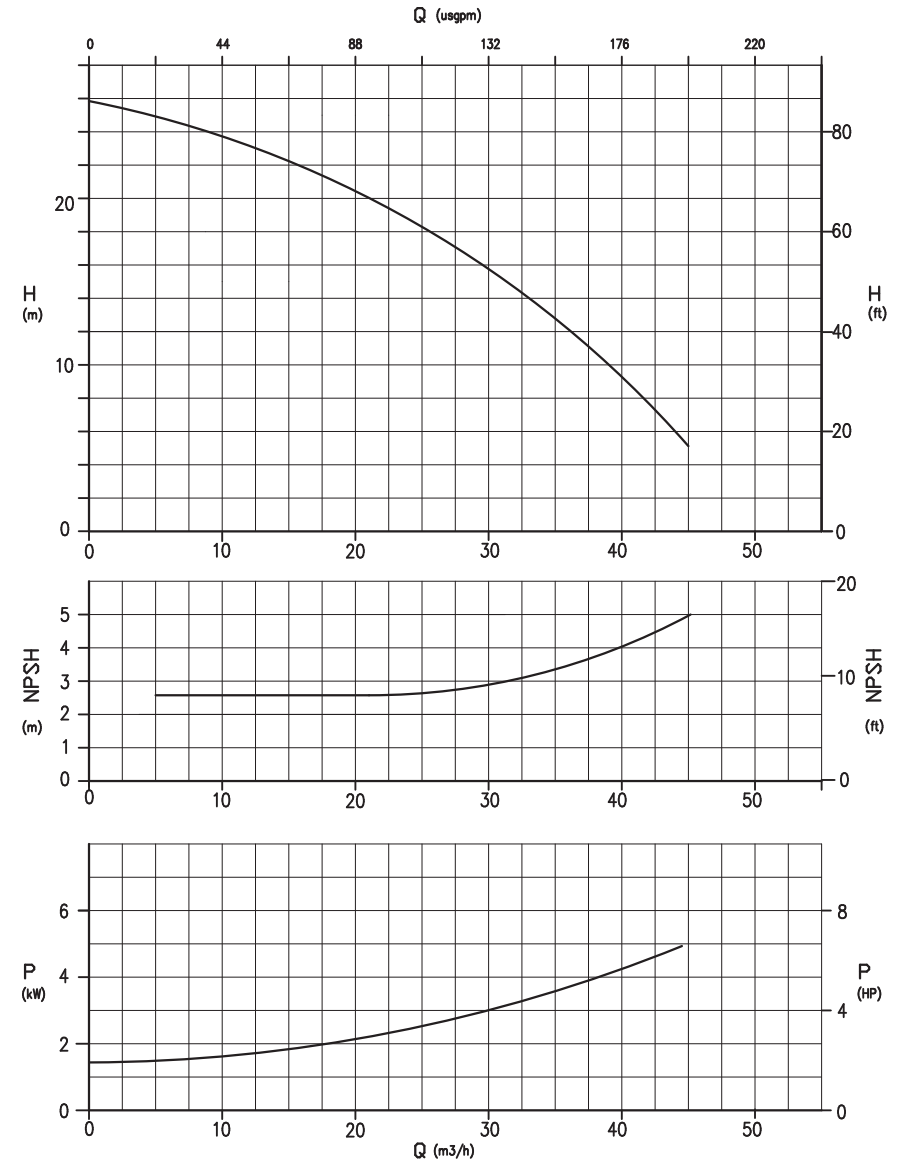
PUMP TYPE	MOTOR FLANGE B3-B5	POT. Kw	DIMENSIONS - mm -														FLANGES DIN PN 10-DIMENSIONS - mm -								
			A	B	C	D	E	Hs	G	H	I	*L	M	N	O	P	Q	R	S	T	U	V	Z	DNs	DNd
HCO 140	G 100 L	3	219	310	160	140	100	10	91	13	2 1/2" MALE	315	66	63	140	250	2"	125	168	18	18	145	188	65	50

* Different according to the manufacturer / Diverso a seconda del fornitore
 ** OPTIONAL-UPON REQUEST/SU RICHIESTA: Baseplate/Piede d'appoggio - Flanges/Flange

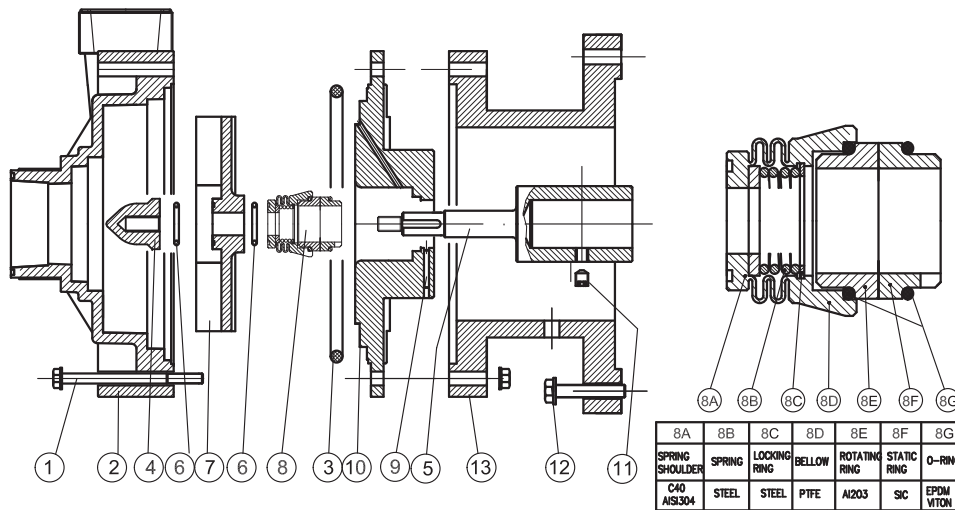
FEATURES/CARATTERISTICHE

Materials available/Materiali disponibili:	PP-PVDF
Max flow/Portata massima:	45 m ³ /h
Max head/Prevalenza massima:	26m
Max temperature/Temperatura massima:	PP 60°C/PVDF 90°C
Max viscosity/Viscosità massima:	200 cSt
Pressure rating/Pressione nominale massima:	NP/PN 4 @ 20°C
Seal/Tenuta:	Internal PTFE bellows mechanical seal/Tenuta meccanica interna con soffiello in PTFE

CURVES/CURVE 50HZ-2900 RPM



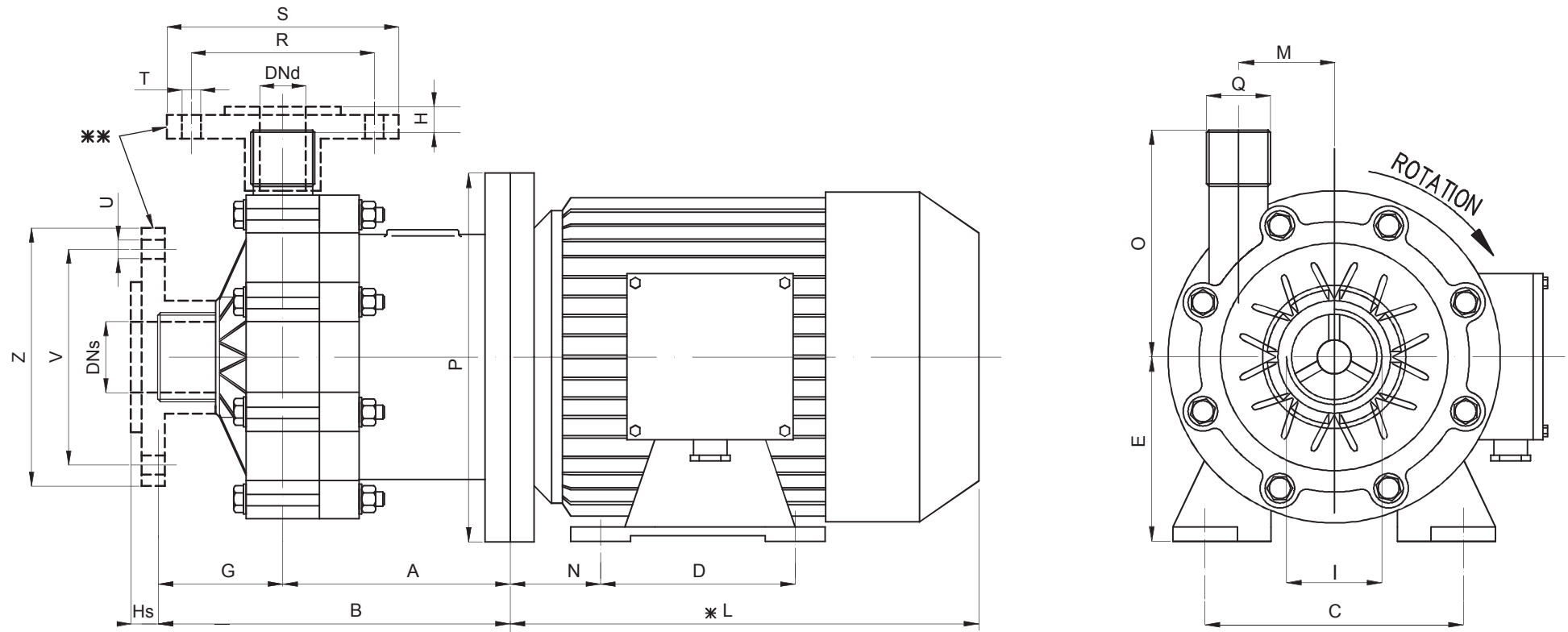
SECTION AND PARTS LIST/SEZIONE E LISTA PARTI



8A	8B	8C	8D	8E	8F	8G
SPRING SHOULDER	SPRING	LOCKING RING	BELLOW	ROTATING RING	STATIC RING	O-RING
C40 AISI304	STEEL	STEEL	PTFE	AI203	SIC	EPDM VITON

POS.	1	2	3	4	5	6	7	8	9	10	11	12	13
PART DESCR.	SET SCREWS	PUMP HEAD	O-RING	IMPELLER NUT	SHAFT	O-RING	IMPELLER	MECHANICAL SEAL	PIN	COVER	GRUB SCREW	SET SCREWS	BRACKET
MAT.	AISI304	PP-PVDF	EPDM VITON	PP-PVDF	C40 AISI316	EPDM VITON	PP-PVDF	●	AISI304	PP-PVDF	AISI304	AISI304	PP

DIMENSIONS/DIMENSIONI D'INGOMBRO



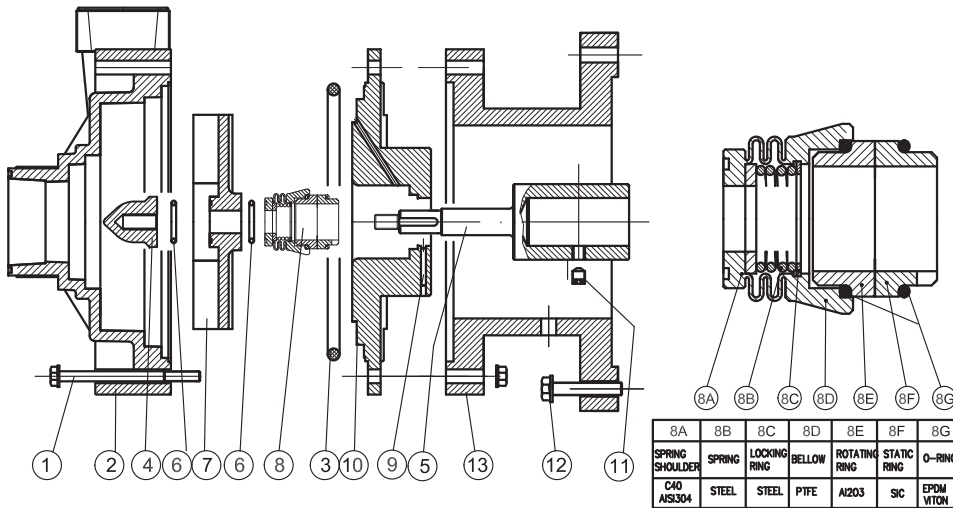
PUMP TYPE	MOTOR FLANGE B3-B5	POT. Kw	DIMENSIONS - mm -														FLANGES DIN PN 10-DIMENSIONS - mm -								
			A	B	C	D	E	Hs	G	H	I	*L	M	N	O	P	Q	R	S	T	U	V	Z	DNs	DNd
HCO 150	G 132 S	5.5	184	275	216	140	132	10	91	10	3" MALE	380	82.5	89	170	300	2 1/2" MALE	145	188	18	18	160	203	80	65

* Different according to the manufacturer / Diverso a seconda del fornitore
 ** OPTIONAL-UPON REQUEST/SU RICHIESTA: Flanges/Flange

FEATURES/CARATTERISTICHE

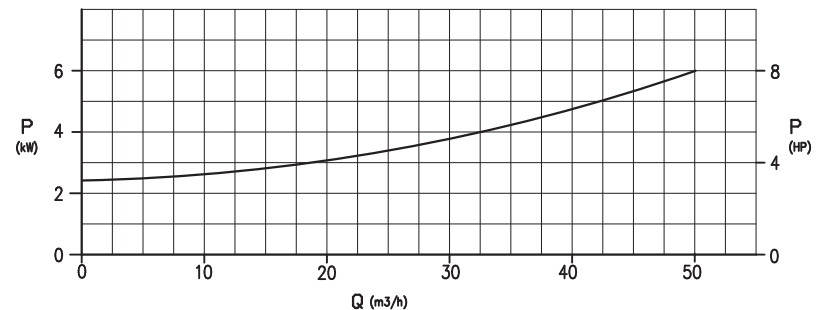
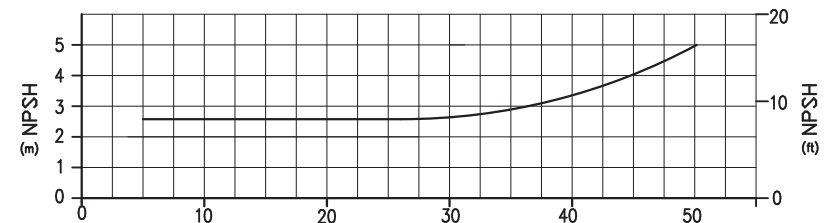
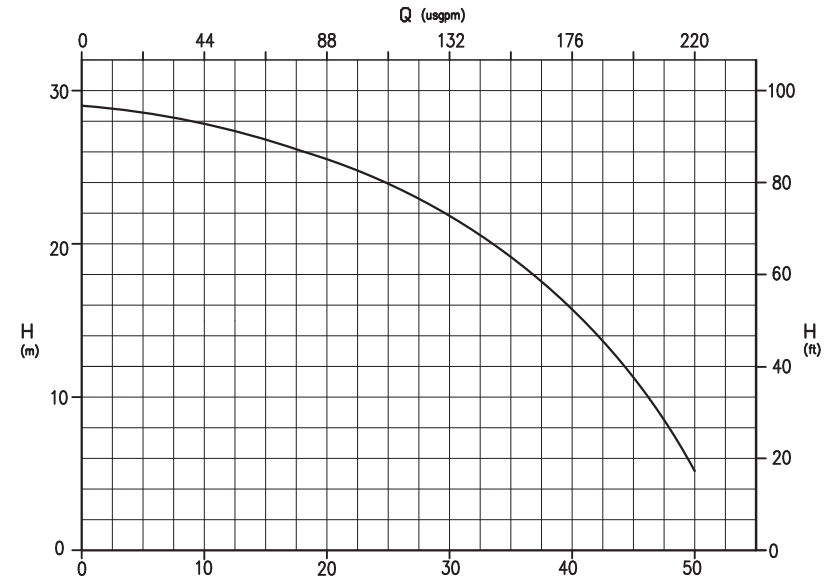
Materials available/Materiali disponibili: PP-PVDF
 Max flow/Portata massima: 50 m³/h
 Max head/Prevalenza massima: 29 m
 Max temperature/Temperatura massima: PP 60°C/PVDF 90°C
 Max viscosity/Viscosità massima: 200 cSt
 Pressure rating/Pressione nominale massima: NP/PN 4 @ 20°C
 Seal/Tenuta: Internal PTFE bellows mechanical seal/Tenuta meccanica interna con soffietto in PTFE

SECTION AND PARTS LIST/SEZIONE E LISTA PARTI

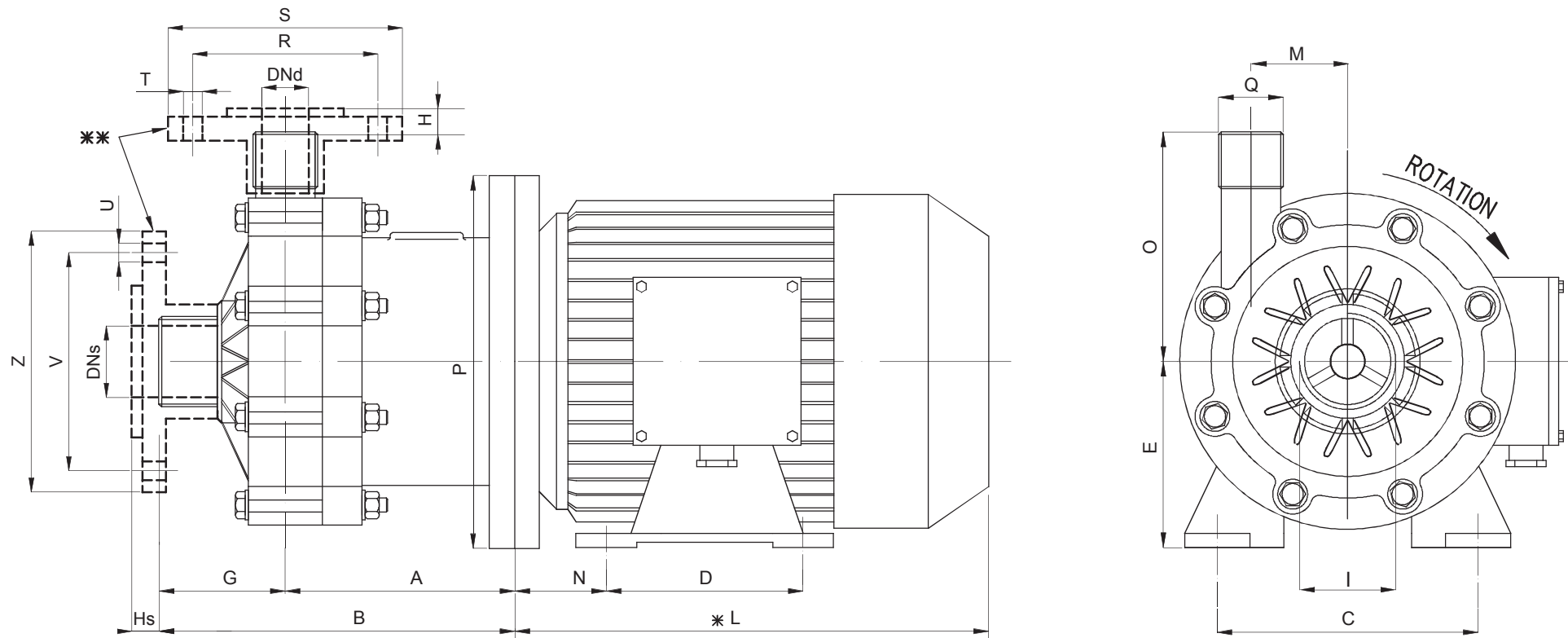


POS.	1	2	3	4	5	6	7	8	9	10	11	12	13
PART DESCR.	SET SCREWS	PUMP HEAD	O-RING	IMPELLER NUT	SHAFT	O-RING	IMPELLER	MECHANICAL SEAL	PIN	COVER	GRUB SCREW	SET SCREWS	BRACKET
MAT.	AISI304	PP-PVDF	EPDM VITON	PP-PVDF	C40 AISI316	EPDM VITON	PP-PVDF	●	AISI304	PP-PVDF	AISI304	AISI304	PP

CURVES/CURVE 50HZ-2900 RPM



DIMENSIONS/DIMENSIONI D'INGOMBRO



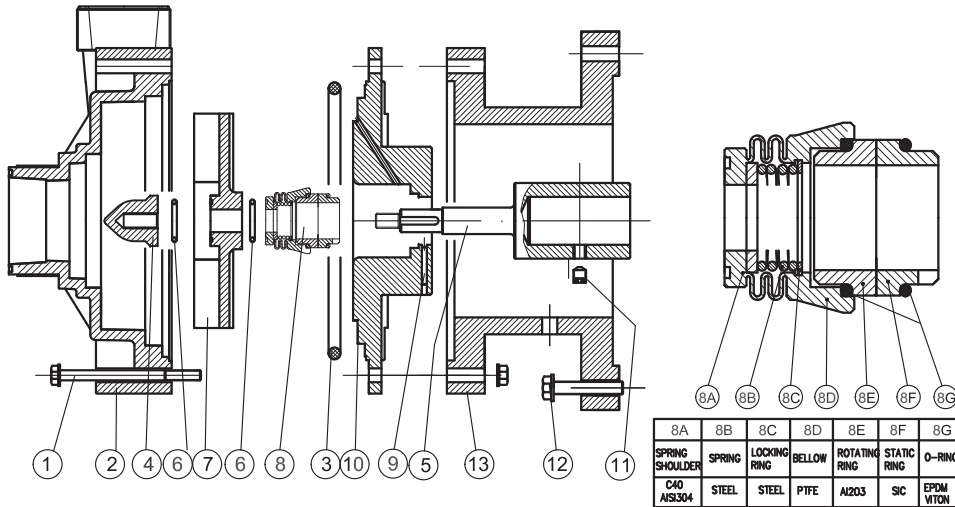
PUMP TYPE	MOTOR FLANGE B3-B5	POT. Kw	DIMENSIONS - mm -														FLANGES DIN PN 10-DIMENSIONS - mm -								
			A	B	C	D	E	Hs	G	H	I	*L	M	N	O	P	Q	R	S	T	U	V	Z	DNs	DNd
HCO 155	G 132 S	5.5	184	275	216	140	132	10	91	10	3" MALE	380	82.5	89	170	300	2 1/2" MALE	145	188	18	18	160	203	80	65

* Different according to the manufacturer / Diverso a seconda del fornitore
 ** OPTIONAL-UPON REQUEST/SU RICHIESTA: Flanges/Flange

FEATURES/CARATTERISTICHE

Materials available/Materiali disponibili:	PP-PVDF
Max flow/Portata massima:	55 m ³ /h
Max head/Prevalenza massima:	36 m
Max temperature/Temperatura massima:	PP 60°C/PVDF 90°C
Max viscosity/Viscosità massima:	200 cSt
Pressure rating/Pressione nominale massima:	NP/PN 4 @ 20°C
Seal/Tenuta:	Internal PTFE bellows mechanical seal/Tenuta meccanica interna con soffietto in PTFE

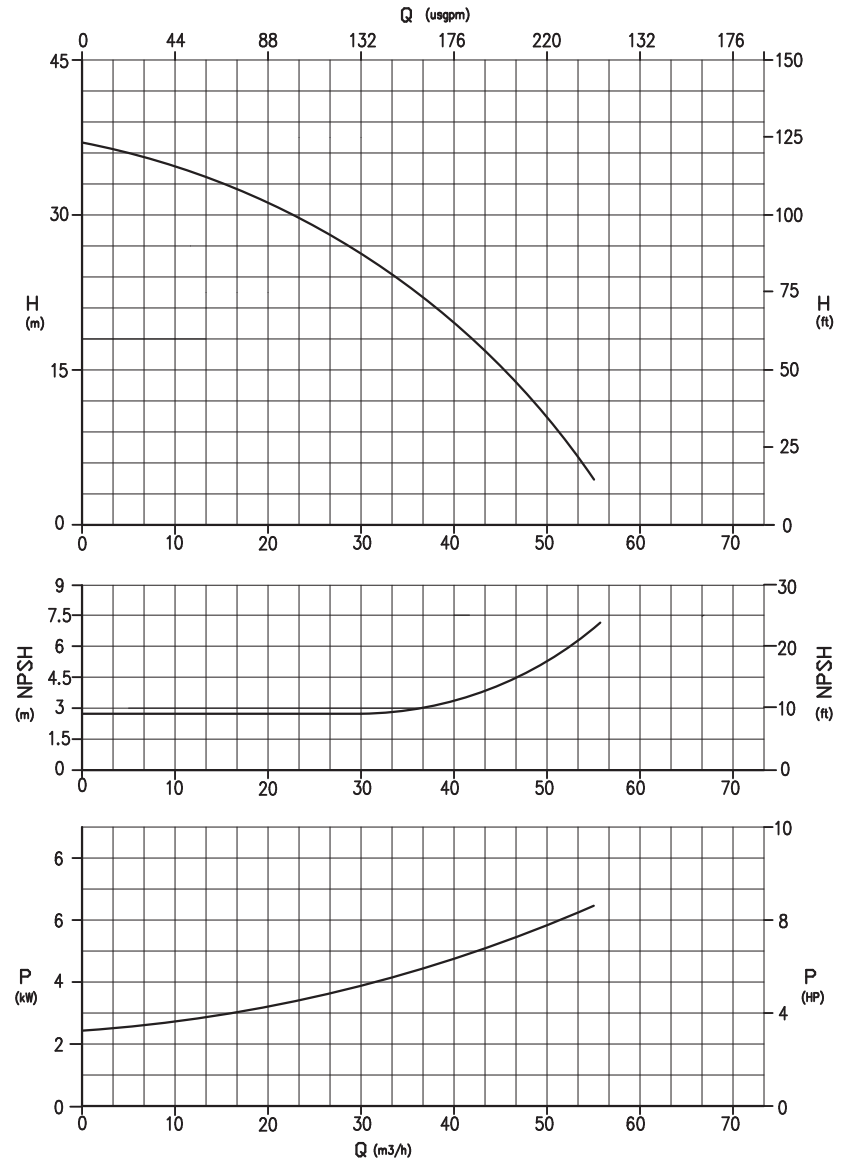
SECTION AND PARTS LIST/SEZIONE E LISTA PARTI



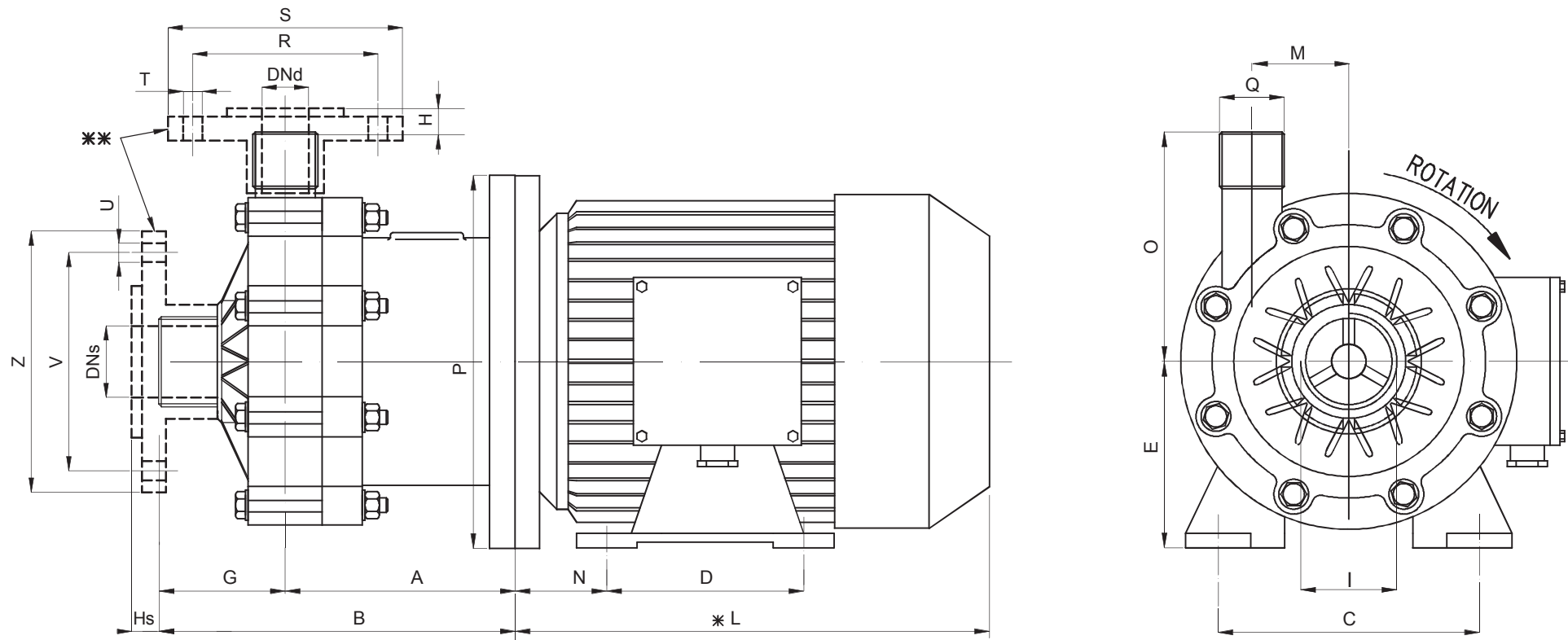
POS.	1	2	3	4	5	6	7	8	9	10	11	12	13
PART DESCR.	SET SCREWS	PUMP HEAD	O-RING	IMPELLER NUT	SHAFT	O-RING	IMPELLER	MECHANICAL SEAL	PIN	COVER	GRUB SCREW	SET SCREWS	BRACKET
MAT.	AISI304	PP-PVDF	EPDM VITON	PP-PVDF	C40 AISI316	EPDM VITON	PP-PVDF	●	AISI304	PP-PVDF	AISI304	AISI304	PP

8A	8B	8C	8D	8E	8F	8G
SPRING SHOULDER	SPRING	LOCKING RING	BELLOW	ROTATING RING	STATIC RING	O-RING
C40 AISI304	STEEL	STEEL	PTFE	AI203	SIC	EPDM VITON

CURVES/CURVE 50HZ-2900 RPM



DIMENSIONS/DIMENSIONI D'INGOMBRO



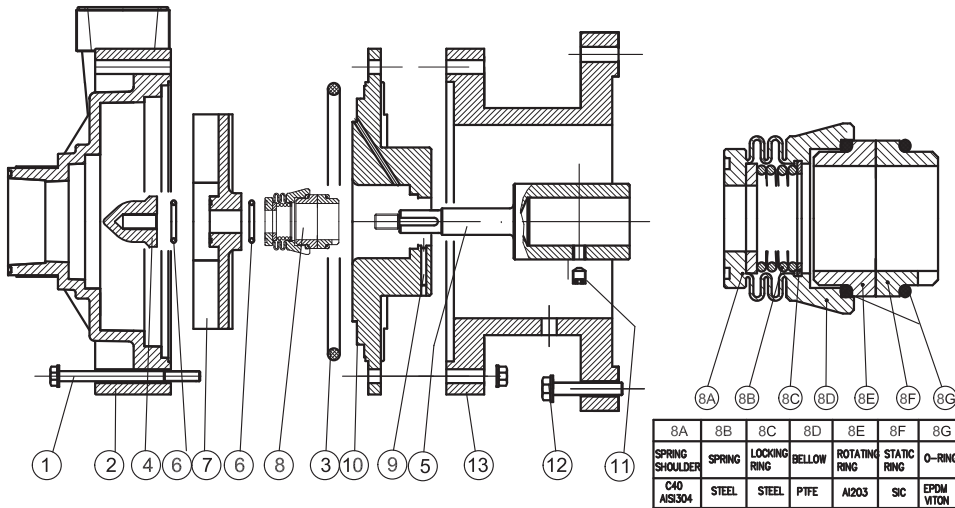
PUMP TYPE	MOTOR FLANGE B3-B5	POT. Kw	DIMENSIONS - mm -														FLANGES DIN PN 10-DIMENSIONS - mm -								
			A	B	C	D	E	Hs	G	H	I	*L	M	N	O	P	Q	R	S	T	U	V	Z	DN s	DNd
HCO 160	G 132 M	7.5	184	275	216	178	132	10	91	10	3" MALE	420	82.5	89	170	300	2 1/2" MALE	145	188	18	18	160	203	80	65

* Different according to the manufacturer / Diverso a seconda del fornitore
 ** OPTIONAL-UPON REQUEST/SU RICHIESTA: Flanges/Flange

FEATURES/CARATTERISTICHE

Materials available/Materiali disponibili:	PP-PVDF
Max flow/Portata massima:	58 m ³ /h
Max head/Prevalenza massima:	38 m
Max temperature/Temperatura massima:	PP 60°C/PVDF 90°C
Max viscosity/Viscosità massima:	200 cSt
Pressure rating/Pressione nominale massima:	NP/PN 4 @ 20°C
Seal/Tenuta:	Internal PTFE bellows mechanical seal/Tenuta meccanica interna con soffiello in PTFE

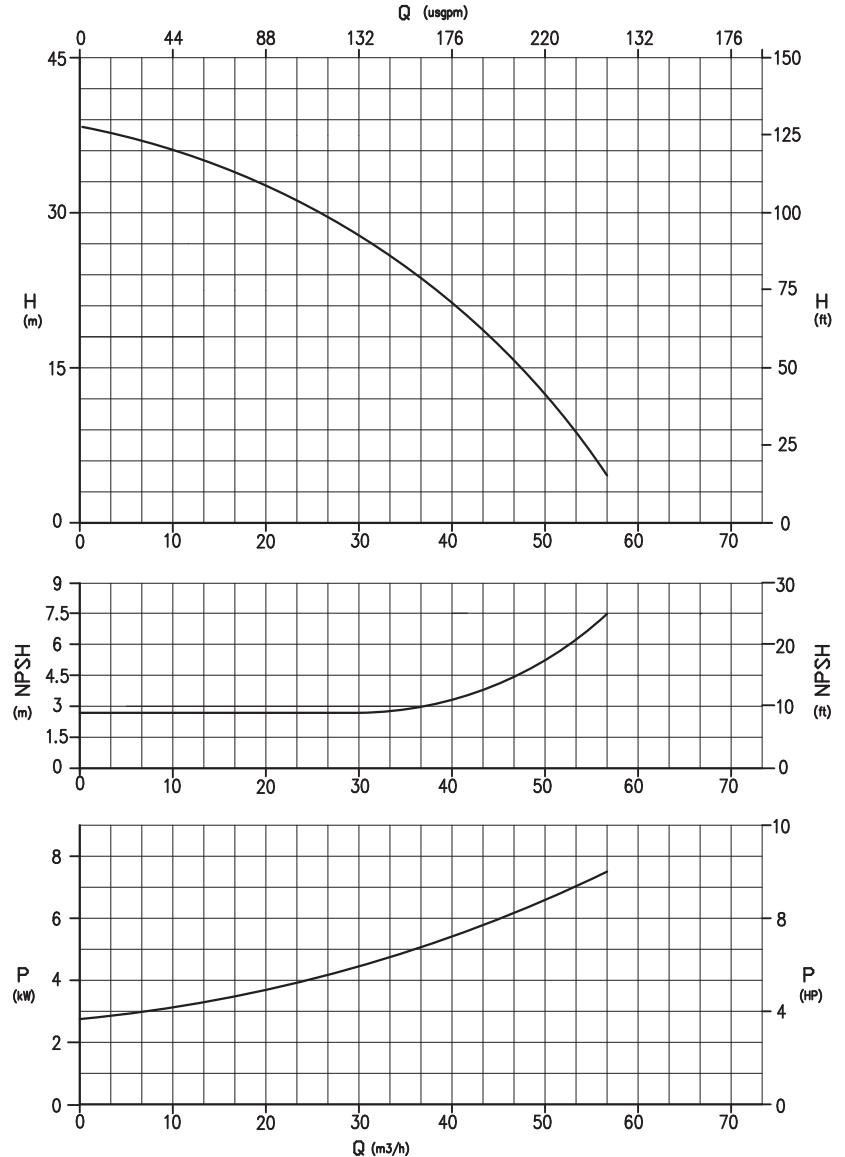
SECTION AND PARTS LIST/SEZIONE E LISTA PARTI



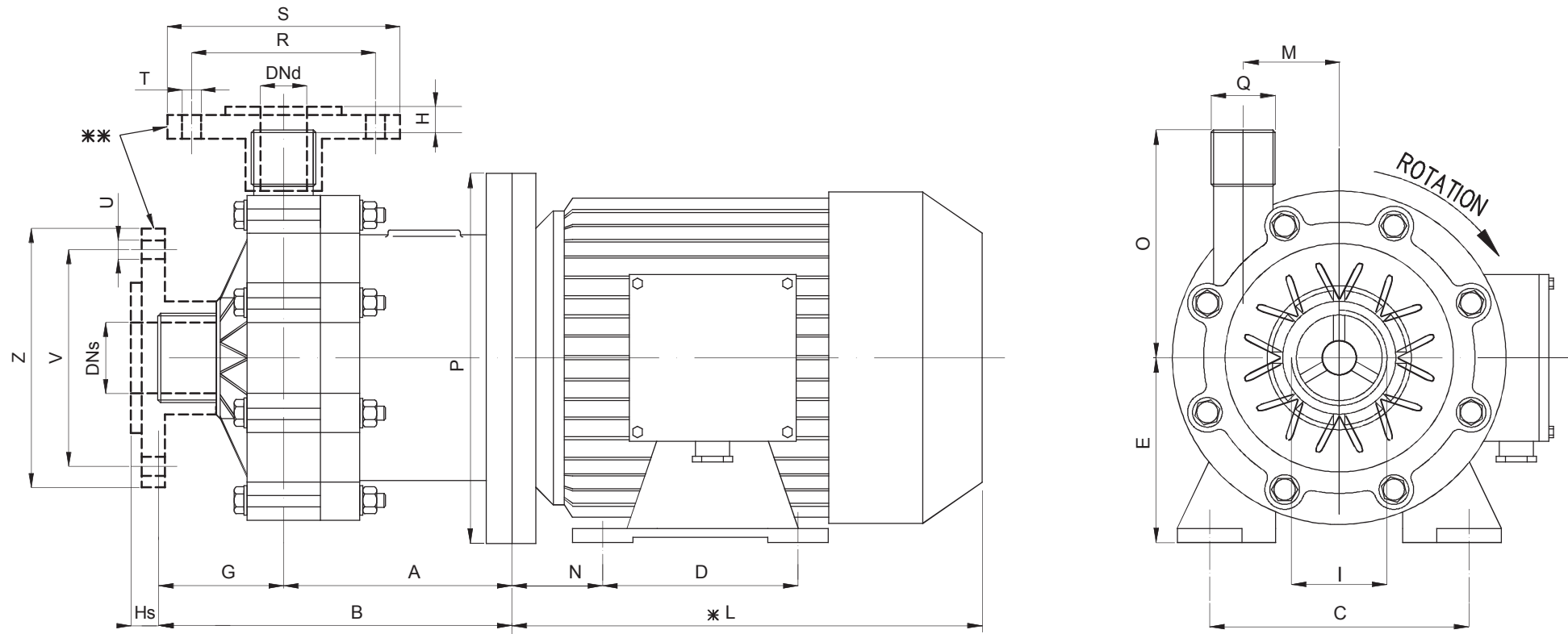
8A	8B	8C	8D	8E	8F	8G
SPRING SHOULDER	SPRING	LOCKING RING	BELLOW	ROTATING RING	STATIC RING	O-RING
C40 AISI304	STEEL	STEEL	PTFE	AI203	SIC	EPDM VITON

POS.	1	2	3	4	5	6	7	8	9	10	11	12	13
PART DESCR.	SET SCREWS	PUMP HEAD	O-RING	IMPELLER NUT	SHAFT	O-RING	IMPELLER	MECHANICAL SEAL	PIN	COVER	GRUB SCREW	SET SCREWS	BRACKET
MAT.	AISI304	PP-PVDF	EPDM VITON	PP-PVDF	C40 AISI316	EPDM VITON	PP-PVDF	●	AISI304	PP-PVDF	AISI304	AISI304	PP

CURVES/CURVE 50HZ-2900 RPM



DIMENSIONS/DIMENSIONI D'INGOMBRO



PUMP TYPE	MOTOR FLANGE B3-B5	POT. Kw	DIMENSIONS - mm -														FLANGES DIN PN 10-DIMENSIONS - mm -								
			A	B	C	D	E	Hs	G	H	I	*L	M	N	O	P	Q	R	S	T	U	V	Z	DNs	DNd
HCO 170	G 132 M	7.5	184	275	216	178	132	10	91	10	3" MALE	420	82.5	89	170	300	2 1/2" MALE	145	188	18	18	160	203	80	65

* Different according to the manufacturer / Diverso a seconda del fornitore
 ** OPTIONAL-UPON REQUEST/SU RICHIESTA: Flanges/Flange